

## H101-MINI

**Stage compatibility: fits in any holder for MW plate and in Physik Instrumente PI P-737**

- H101-MINI has the footprint of a Multi Well Plate
- Fits in any stage equipped with MW holder
- Fits in Physik Instrumente P-737

**The chamber can fit:**

- 35/60 mm Petri
- 1x3 in. / 1x2 in. chambered slides

**Features:**

- Magnets allow easy interchange chamber inserts
- Perfusion holes: 12 channels for 2.5mm O.D. tubings are available



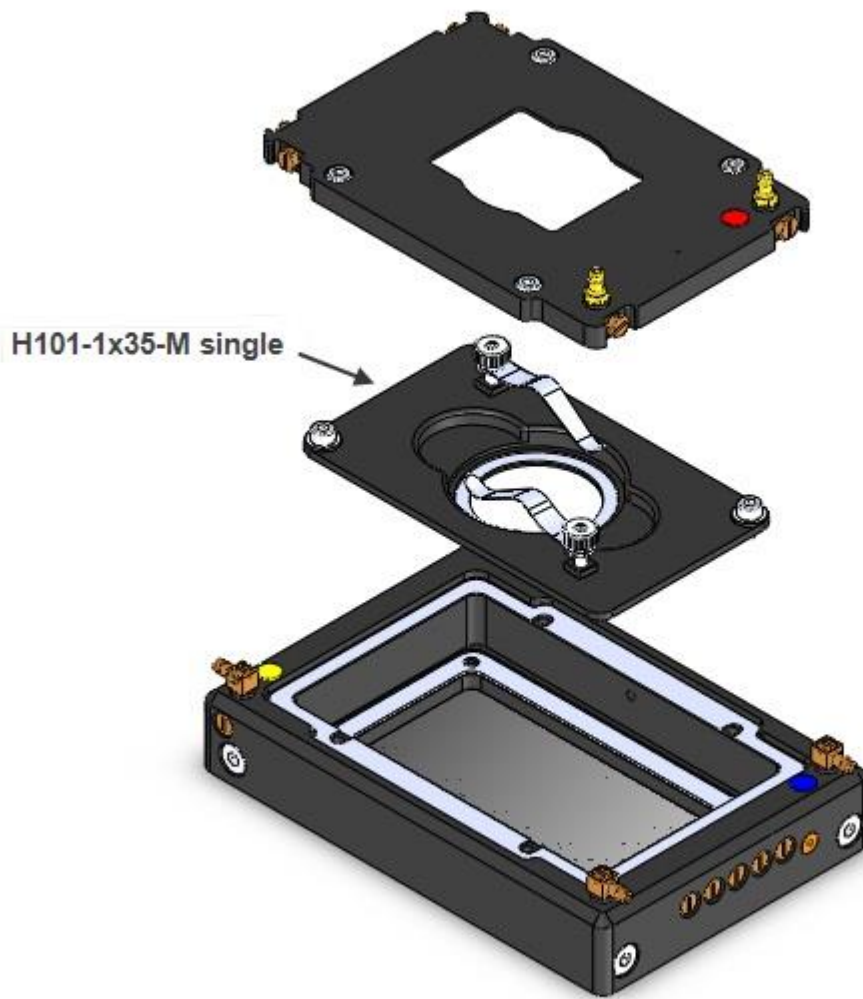
### AVAILABLE INSERTS

<b>H101-1x35-M single</b>	#1 35mm Petri-dish
<b>1xGS-M-SINGLE</b>	#1 1x3in. chamberslide
<b>1xLABTEK-M-SINGLE</b>	#1 Lab-Tek 1x2 in. chambered cover glass
<b>1xLABTEK-II-M-SINGLE</b>	#1 Lab-Tek II 1x2 in. chambered cover glass
<b>1x60-M-SINGLE</b>	#1 60mm Petri-dish



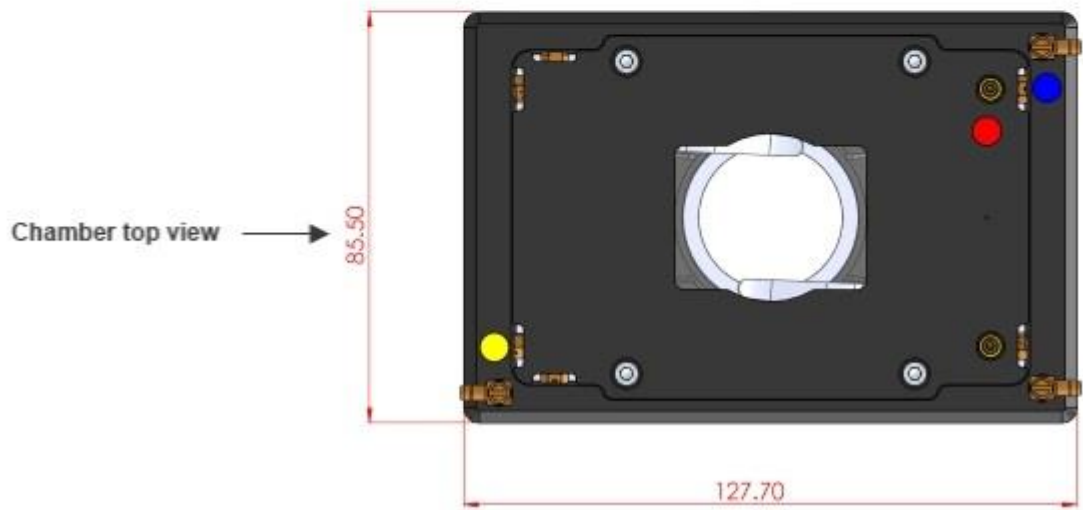
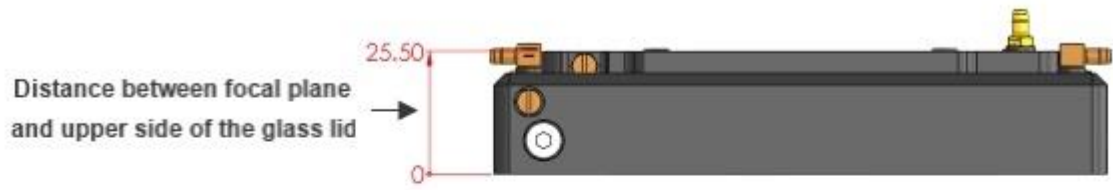
**H101-MINI**

H101-MINI - Components



**H101-MINI**

H101-MINI - Dimensions



H101-MINI - Magnetic Inserts